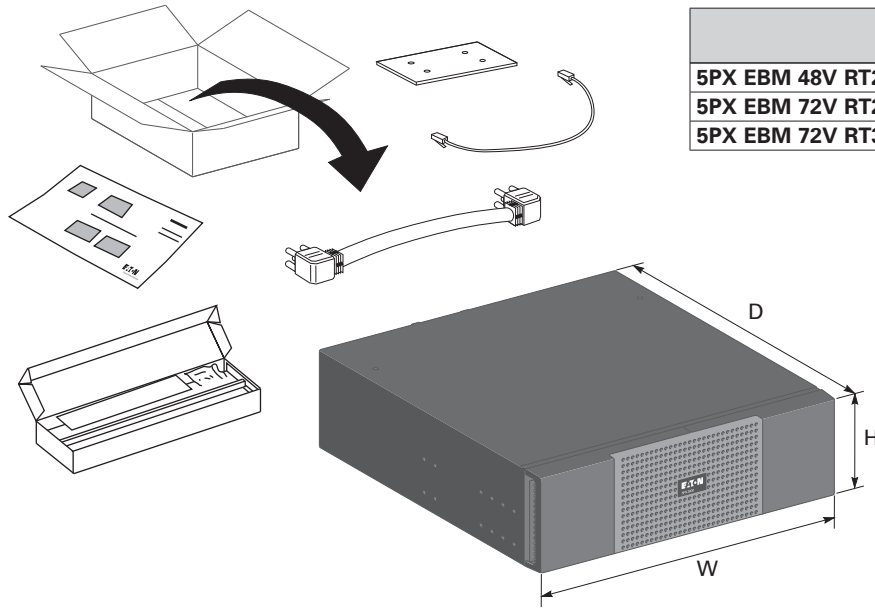


	Weights (kg/lb)	Dimensions (mm/inch) D x W x H
5PX EBM 48V RT2U	72.30 / 32.80	20.6 x 17.4 x 3.4 / 522 x 441.2 x 86.2
5PX EBM 72V RT2U	102.3 / 46.39	25.5 x 17.4 x 3.4 / 647 x 441.2 x 86.2
5PX EBM 72V RT3U	97.6 / 44.26	19.6 x 17.4 x 5.1 / 497 x 441.2 x 130.7

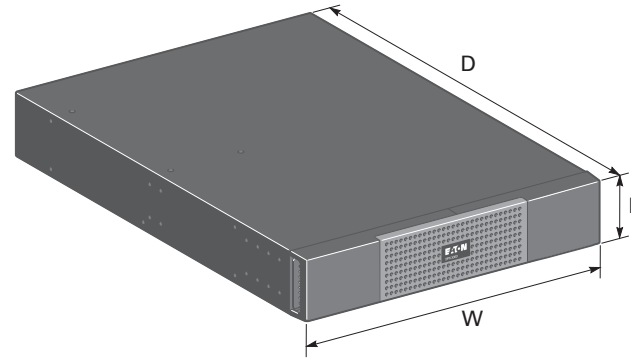
# EATON 5PX EBM

## Installation manual

## Manuel d'installation

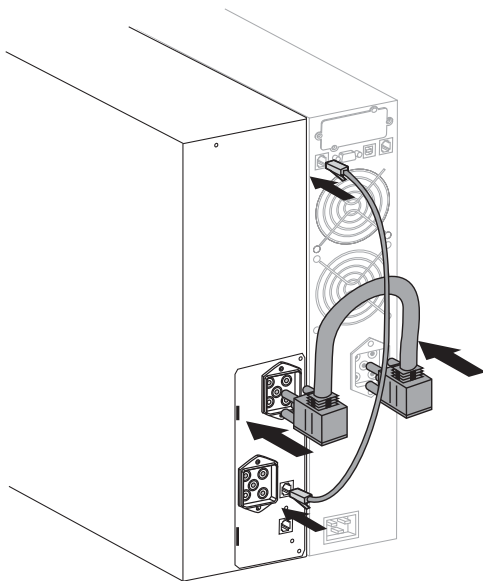


**5PX EBM 72V (2U/3U)**  
Compatible with 5PX 3000 (2U/3U)

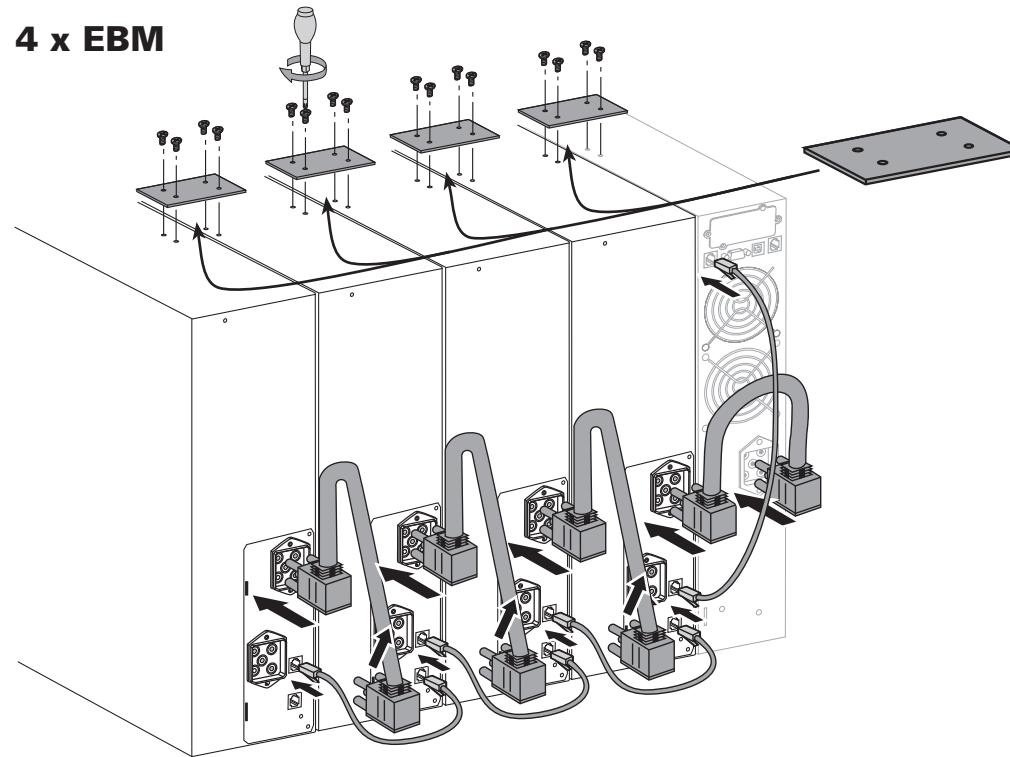


**5PX EBM 48V**  
Compatible with 5PX 1000/1500/2000/2200

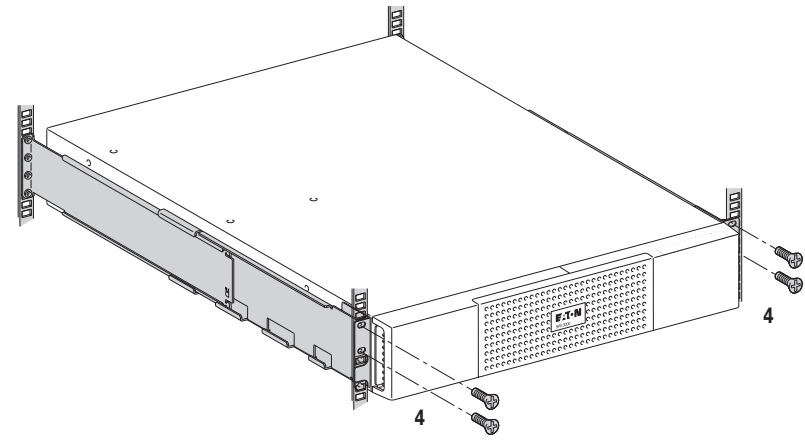
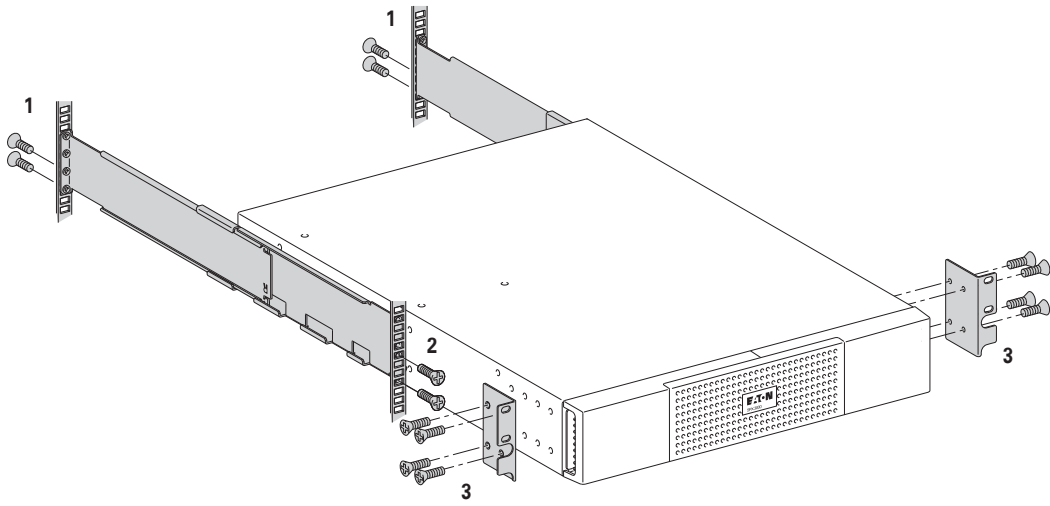
### 1 x EBM



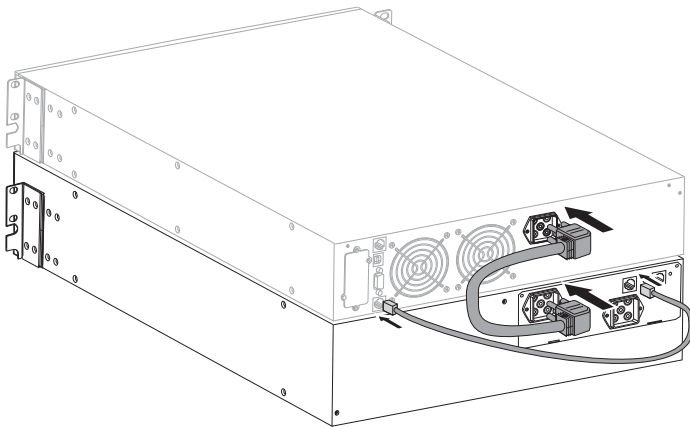
### 4 x EBM



614-21119-00



**1 x EBM**



**4 x EBM**

